

PRODUCT INFORMATION PACKET



Model No: C6T17XB35A

Catalog No: 117858.00

..3/4HP..1800RPM.56H.EPFC.230/460V.3PH.60HZ.CONT.40C.1.0SF.RIGID.....EX-PROOF.....

Explosion Proof



Regal and Leeson are trademarks of Regal Beloit Corporation or one of its affiliated companies.

©2018 Regal Beloit Corporation, All Rights Reserved. MC017097E



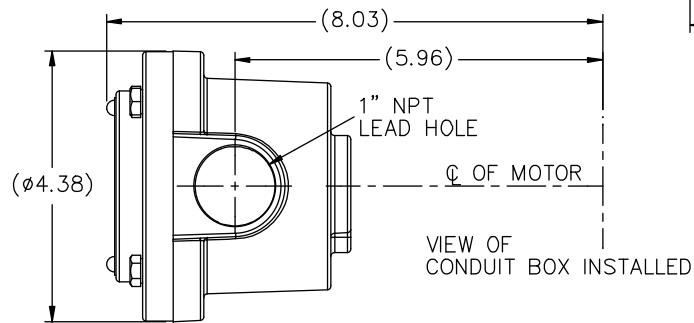
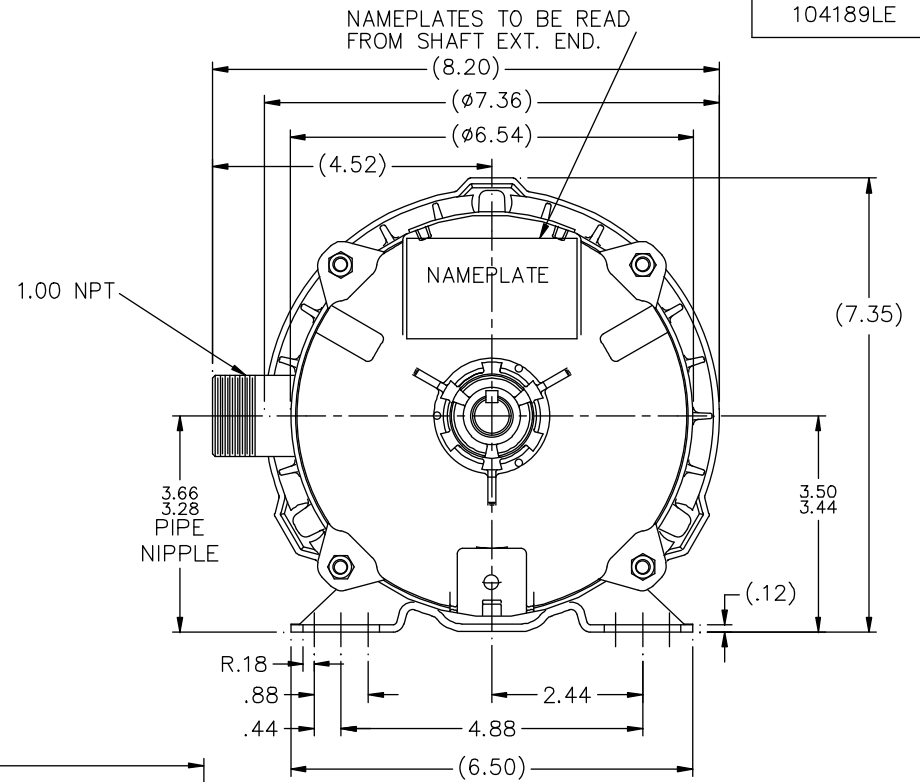
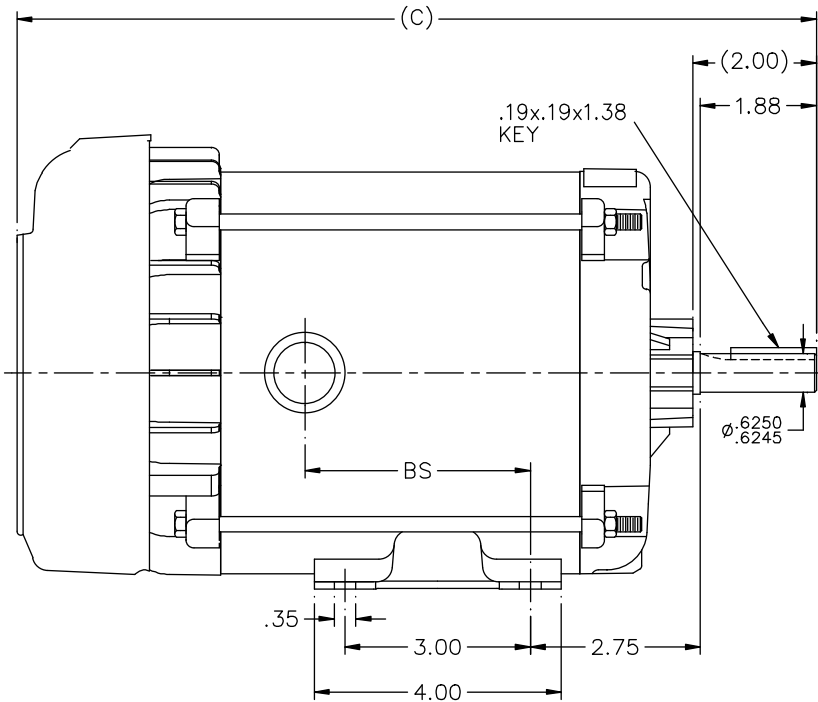


Nameplate Specifications


Output HP	0.75 Hp	Output KW	0.56 kW
Frequency	60 Hz	Voltage	208-230/460 V
Current	2.9-3.0/1.5 A	Speed	1725 rpm
Service Factor	1	Phase	3
Efficiency	75.5 %	Duty	Continuous
Insulation Class	B	Design Code	B
KVA Code	L	Frame	56
Enclosure	Explosion Proof Fan cooled	Overload Protector	No
Ambient Temperature	40 °C	Drive End Bearing Size	6203
Opp Drive End Bearing Size	6203	UL	Recognized
CSA	Y	CE	N
IP Code	54		

Technical Specifications

Electrical Type	Squirrel Cage Inverter Rated	Starting Method	Line Or Inverter
Poles	4	Rotation	Reversible
Mounting	Rigid base	Motor Orientation	HORIZONTAL
Drive End Bearing	BALL	Opp Drive End Bearing	BALL
Frame Material	Rolled Steel	Shaft Type	NEMA 56
Overall Length	13.94 in	Frame Length	6.81 in
Shaft Diameter	0.625 in	Shaft Extension	1.88 in
Assembly/Box Mounting	F1 ONLY		
Outline Drawing	B-104189LE-681	Connection Diagram	A-EE7308T-LE

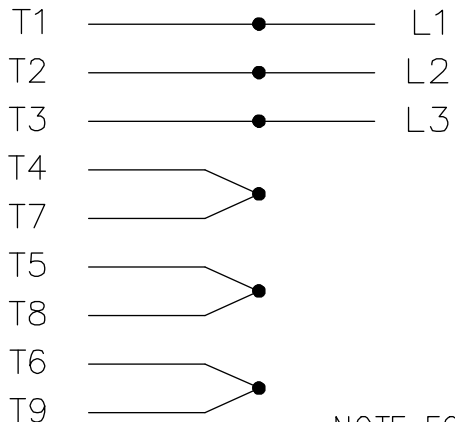


DASH	(C)	BS			
631	13.44	4.15			
681	13.94	4.65			
731	14.44	5.15			
781	14.94	5.65			
831	15.44	6.15			
881	15.94	6.65			
931	16.44	7.15			
981	16.94	7.65			

		TOLERANCES UNLESS SPECIFIED		 ELECTRIC MOTORS GEARMOTORS AND DRIVES		DRAWN RJW 06-22-2007	
		DEC.	INCHES			CHK	ML 06-22-2007
		.X	±.1			APPD	GK 06-22-2007
		.XX	±.03				SCALE 1=2
		.XXX	±.005			REF	
1	COND. BOX INSTALLED VIEW UPDATED PER ECR-0044571	UD	10/15/13	ST	.XXXX ±.0005	MAT'L.	
NO.	REVISION	BY & DATE	CHK	ANG	±7'30"	FINISH	PREV
THIS DRAWING IN DESIGN AND DETAIL IS OUR PROPERTY AND MUST NOT BE USED EXCEPT IN CONNECTION WITH OUR WORK ALL RIGHTS OF DESIGN AND INVENTION ARE RESERVED THIS IS AN ELECTRONICALLY GENERATED DOCUMENT - DO NOT SCALE THIS PRINT				RFP	06-22-2007	CAD FILE	104189LE
						SIZE	DRAWING NO. PAGE OF REV.
						B	104189LE 1

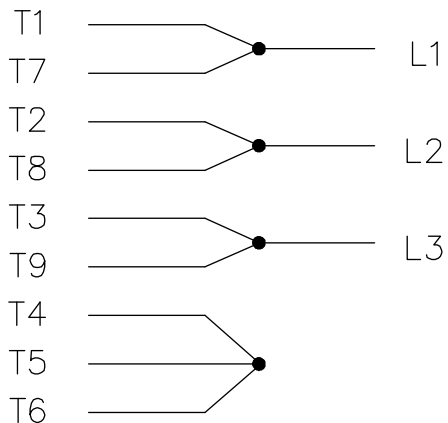
THREE PHASE
DUAL VOLTAGE MOTOR

HIGH VOLTAGE

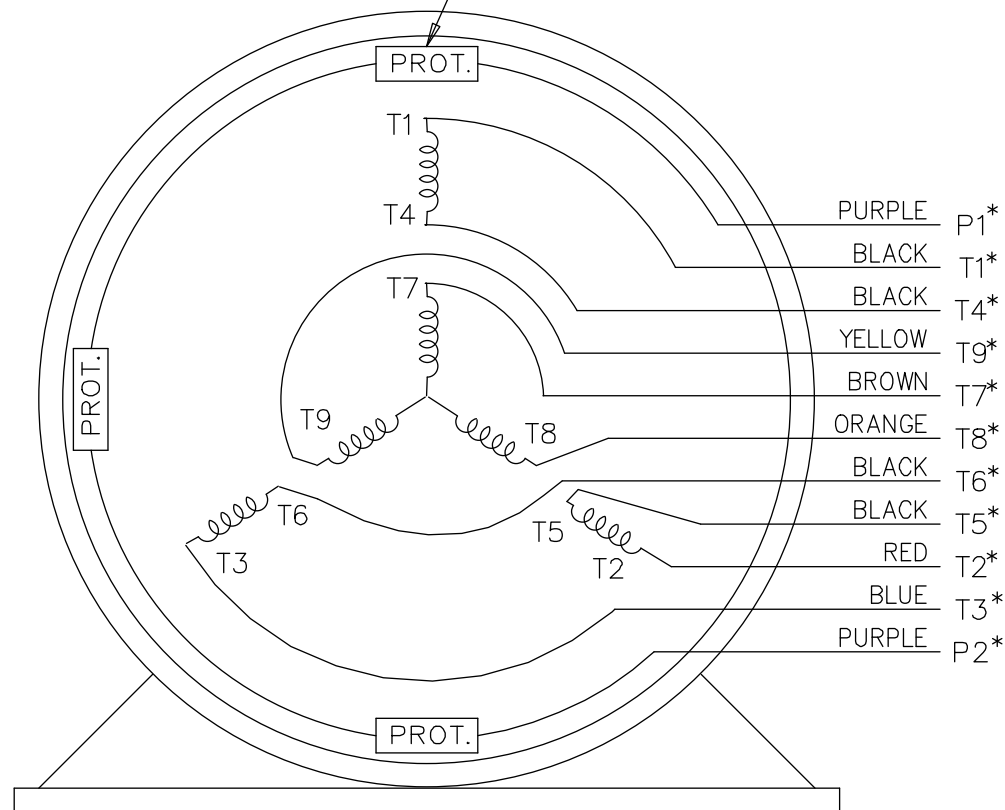


NOTE FOR FACTORY USE ONLY:
 TO SURGE TEST FOR COMMON CONNECT:
 HIGH VOLT: CONNECT P1 TO T1
 THEN P2 TO L1
 LOW VOLT: CONNECT P1 TO T1 & T7,
 THEN P2 TO L1

LOW VOLTAGE




THREMO-PROTECTORS
CONNECTED IN SERIES.



VIEW OF TERMINAL END

* USE LEADS AS PER PLANT STANDARD IRRWSPECTIVE OF THEIR COLOUR.

				TOLERANCES UNLESS SPECIFIED		 ELECTRIC MOTORS GEARMOTORS AND DRIVES	DRAWN TJB 05-07-2002			
NO.	REVISION	BY & DATE	CHK	ANG	±		SIZE	DRAWING NO.	PAGE OF	REV.
05	ADDED * NOTE PER ECN # 26921	UD 01-30-2013	JD	DEC.	INCHES	TITLE CONNECTION DIAGRAM 3 PHASE - DUAL VOLTAGE MOTOR	CHK	ML	05-08-2002	
04	ADDED COLORS TO "T & P" LEADS CN 40494	MSG 08-08-2006	ML	.X	±.1		APPD	TB	05-08-2002	
03	RE-ISSUE	NJS 04-21-2004	JET	.XX	±.02		SCALE	1=1		
02	REDRAWN	TAT 04-20-2004	ML	.XXX	±.005		REF			
01	NEW DRAWING CN 34708	TJB 05-08-2002	ML	.XXXX	±.0005		FINISH	FMF		
			RFP			CAD FILE	EE7308T_LE	A	EE7308T-LE	05
			DIST	LB-WP-LE						

THIS DRAWING IN DESIGN AND DETAIL IS OUR PROPERTY AND MUST NOT BE USED EXCEPT IN CONNECTION WITH OUR WORK ALL RIGHTS OF DESIGN AND INVENTION ARE RESERVED THIS IS AN ELECTRONICALLY GENERATED DOCUMENT - DO NOT SCALE THIS PRINT



P.O. BOX 8003
WAUSAU, WI 54401-8003
PH. 715-675-3311

DATA VOLTS: 460

CERTIFICATION DATA SHEET

CONN. DIAGRAM: A-EET7308T-LE
OUTLINE: B-104189LE-681
WINDING: ZT411

CAT #: 117858.00

R11 3

TYPICAL MOTOR PERFORMANCE DATA

HP	KW	SYNC RPM	FL RPM	FRAME	ENCLOSURE	TYPE	KVA CODE	DESIGN	
0.75	0.56	1800	1725	56	EPFC	TFR	L	B	
PH	HZ	VOLTS	AMPS	START TYPE	DUTY	INSL	S.F.	AMB	ELEV.
3	60/50	208-230/460#190/380	2.9-3/1.5&2.7/1.35	ACROSS THE LINE	CONT	B	1.15	40	3300
	F.L. EFF	75.5	3/4 LD EFF	74.5	1/2 LD EFF	71.0	GTD EFF		ELECT. TYPE
	F.L. PF	66.3	3/4 LD PF	57.0	1/2 LD PF	45.5	72.0		SO CAGE IND RUN
	F.L. TORQUE	LR AMPS @ 460 V		L.R. TORQUE		B.D. TORQUE		F.L. RISE (°C)	
	2.28 LB-FT	9.3	8.2 LB-FT	360%	10.0 LB-FT	439%	35		
	PRESSURE @ 3 DBA	POWER	ROTOR WK²	MAX. LOAD WK²	SAFE STALL TIME	STARTS/HOUR	MOTOR WGT		
	62 DBA	71 DBA	0.07 LB-FT²	5 LB-FT²	12 SEC.	2	25 LB.		

*** SUPPLEMENTAL INFORMATION ***

DE BRACKET TYPE	ODE BRACKET TYPE	MOUNT TYPE	MOTOR ORIENTATION	SEVERE DUTY	HAZARDOUS LOCATION	DRIIP COVER	SCREENS	PAINT
STANDARD	STANDARD	RIGID	HORIZONTAL	NO	DEF CL I GR C&D CL II GR	NO	NONE	JE - LEESON (ENAM)
BEARINGS DE	ODE	GREASE	SHAFT TYPE	SPECIAL DE	SPECIAL ODE	SHAFT	MATERIAL	FRAME MATERIAL
BALL 6203	BALL 6203	POLYREX EM	STANDARD 56	NONE	NONE	1144 STRESSPROOF (C-223)		ROLLED STEEL

THERMOSTATS TSTATS (N/C)	PROTECTORS	WDG RTD's	BRG RTD's	THERMISTORS	CONTROL	SPACE HEATERS
	NOT	NONE	NONE	NONE	FALSE	NA
R1 (ohms/ph)	R2 (ohms/ph)	X1 (ohms/ph)	X2 (ohms/ph)	Xm (ohms/ph)	VIBRATION (in/sec)	FLOAT ODE
0	0	0	0	0	0.150	

* N O T E S *	INVERTER TORQUE: NONE INV. HP SPEED RANGE: NONE	
	ENCODER: NONE	
	BRAKE: NONE	
	FT-LB: NONE NA NONE	
	VOLTAGE: NONE NA NONE	
	HZ: NONE PPR	

DATE: 1/23/2018	UL: Y-(LEESON UL REC)
-----------------	-----------------------

Data Sheet

Date: 1/23/2018

117858.00



Data @ 460 V

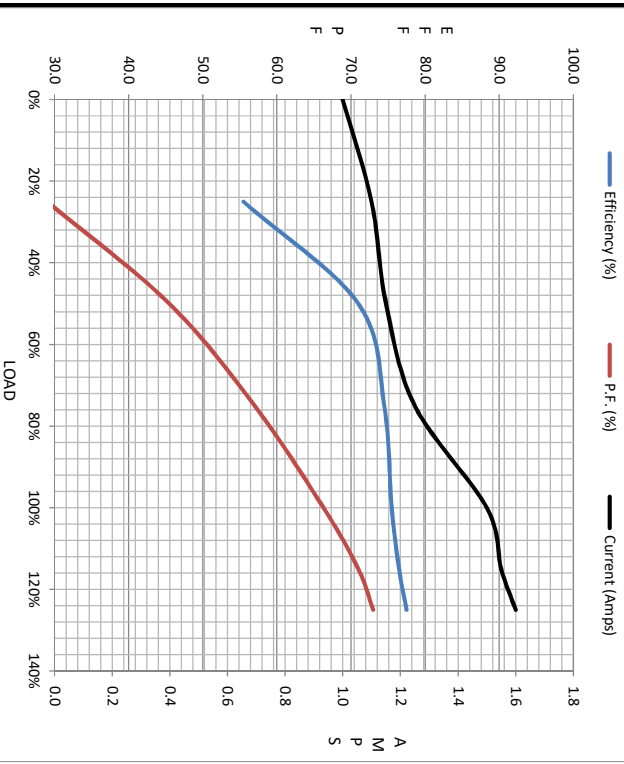
Motor Load Data						LR
Load	0%	25%	50%	75%	100%	115%
Current (Amps)	1.00	1.10	1.15	1.25	1.50	1.55
Torque (ft-lb)	0.00	0.52	1.10	1.70	2.28	2.60
HPM	1800	1785	1770	1750	1725	1720
Efficiency (%)		55.5	71.0	74.5	75.5	77.5
P.F. (%)	11.5	29.0	45.5	57.0	66.3	71.0

Motor Speed Data

LR	Pull-Up	BD	Rated	Idle
Speed (RPM)	0	750	1230	1800
Current (Amps)	9.3	8.4	6.0	1.50
Torque (ft-lb)	8.2	7.4	10.0	2.28

Information Block

HP	0.8
Sync. RPM	1800
Frame	56
Enclosure	EPFC
Construction	TFR
Voltage	208-230/460#190/380 V
Frequency	60 Hz
Design	B
LR Code letter	L
Service Factor	1.15
Temp Rise @ FL	35 °C
Duty	CONT
Ambient	40 °C
Elevation	1,000 feet
Rotor/Shaft wk ²	0.07 LB-Ft ²
Ref Wdg	Z1411 R11
Sound Pressure @ 1M	62 dBA
VFD Rating	NONE
Outline Dwg	B-104189LE-081
Conn. Diag	A-EE7308T-1E
Additional Specifications:	
0	
EQUIV CKT (OHMS / PHASE)	
R1	R2
0.0000	0.0000
X1	X2
0.0000	0.0000
Xm	
0.0000	



Speed - Torque Curve

